

# Mustang® Composite Sampling System

MCSS



## Continuous Waterless Type Sampling System



CONTROL STATION

SAMPLE PUMPS

GRAB SAMPLE CYLINDERS

ACCUMULATOR

COMPOSITE SAMPLE  
CYLINDERS

## Analytically Accurate® Technology

The Mustang® Composite Sampling System (MCSS) provides a representative gas composition sample by taking small bite size samples over a period of time. The MCSS consists of the HMI/SCADA control software and the composite sampling system. Sample pumps, the grab sample cylinders, and the composite sample system are housed within the system. The control station houses the PLC which controls all solenoid valves and indicator lights.

The MCSS grabs a fresh, 0.5 cc, sample every second, storing it in the accumulator for future analysis. Once sampling is complete, the composite sample can be transferred to the portable sample cylinders for lab analysis. The MCSS has three purging options which include an accumulator with an internal bladder, vacuum pump, or venturi vacuum generation. The accumulator is then emptied and the system reset for the next ship.

- ▶ Stable Sample Time™
- ▶ ISO 8943 Compliant
- ▶ ATEX Certifiable
- ▶ Grabs fresh 0.5 cc sample every second
- ▶ All-in-one unit
- ▶ 3 Purging Options
- ▶ SoftView® Composite HMI Software included for remote control

# PRODUCT DIMENSIONS

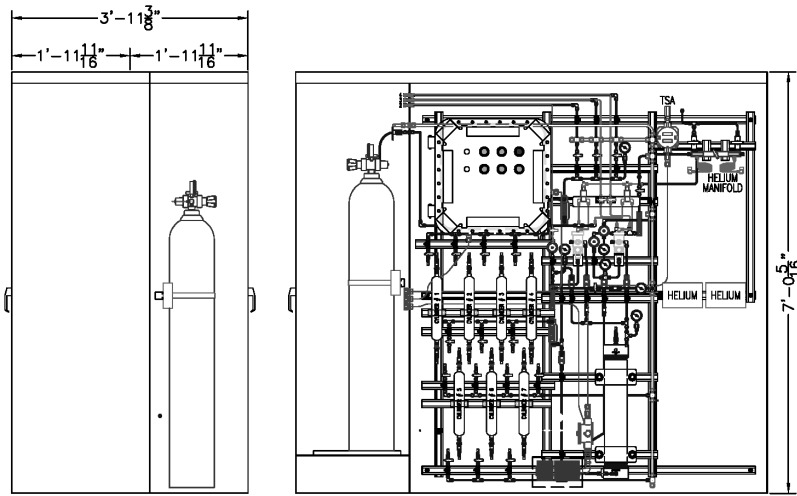


Fig. 1a—Mustang® Composite Sampling System—Front Elevation

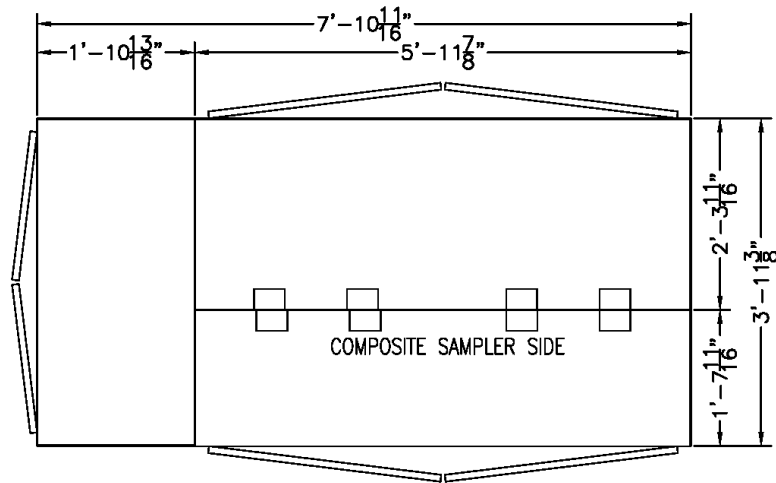


Fig. 1b—Mustang® Composite Sampling System—Plan View

# PRODUCT SPECIFICATIONS

Maximum allowable working pressure	3750 psig (259 bar)
Proportional temperature control range	0°F-280°F (-18°C-138°C)
Port sizes	1/4" female NPT
Conduit connection	3/4" female NPT
Electrical classifications	Class 1, Div 1 & 2, Groups C, D, T3 (CE Ex II 2 G Ex d II B T3 Gb Zones 1 & 2)
Power rating options	115 VAC, 790 Watts, 50/60 Hz, ± 10% 208 VAC, 790 Watts, 50/60 Hz, ± 10% 230 VAC, 790 Watts, 50/60 Hz, ± 10%
Wetted materials	Machined parts: 316 stainless steel/NACE compliant All other metal parts: stainless steel/NACE compliant; (other materials available upon request)



**Mustang Sampling®**

info@mustangsampling.com  
www.mustangsampling.com

P 304-273-5357  
F 304-273-2531  
P.O. Box 490  
Ravenswood, WV 26164



Locally Represented By: